

# BUILD A BETTER BAR

## PERFECTA POUR® - "PARAMOUNT" 1 HP GLYCOL POWER PACK



**BR2020-3P**

**THE INDUSTRIES MOST EFFICIENT  
AND EFFECTIVE GLYCOL CHILLERS**

**BR2020 - 1 HP UNIT - AIR COOLED**  
SYSTEM LENGTH COOLING CAPACITY - 675'

**BR2020W - 1 HP UNIT - WATER COOLED**  
SYSTEM LENGTH COOLING CAPACITY - 875'

The BR2020 uses our high efficiency, Flatplate evaporator that increases total BTUH output by a minimum of 10%. The "Paramount" Perfecta Pour® glycol power packs have 12-gallon sealed reservoirs which virtually eliminate condensation and evaporation. The unique 3/4" glycol distribution manifold is encased in a fully insulated block below the motor deck. The motor deck can accommodate up to three pump-motor assemblies.

### FEATURES:

- 12 GALLON SEALED BATH WITH EASILY ACCESSIBLE 5" HOLE FOR FILLING AND INSPECTION
- FRONT PANEL DIGITAL THERMOSTAT CONTROL
- ILLUMINATED GREEN ROCKER SWITCHES FOR EACH PUMP-MOTOR ASSEMBLY
- INDEPENDENT DIGITAL THERMOMETERS FOR EACH PUMP RETURN TEMPERATURE
- BUILT-IN FILTER TRACK ACCOMMODATES A DISPOSABLE AIR FILTER
- SLIDE-OFF REMOVABLE FRONT CAGE ALLOWS EASY ACCESS TO SERVICE VALVES AND ELECTRICAL TOWER
- 404A REFRIGERANT GAS - THERMAL EXPANSION VALVE - SITE GLASS - RECEIVER
- STANDARD 1/3 HP MOTOR AND 100 GPH PUMP
- NYLON PUMP-MOTOR COUPLER - REDUCES HEAT TRANSFER AND WEAR BETWEEN PUMP-MOTOR ASSEMBLY

## KNOW YOUR DRAFT TEMPERATURE AT ALL TIMES

Remote your chiller temperature display up to 328' away! Easily remove the LED temperature display panel, located on the front of the chiller, and hang it wherever you want your profits monitored! The System operating temperature and each pump return temperature are displayed on the digital readout.



All Perfecta Pour® glycol power packs include a 90 day labor and one year parts and compressor warranty. Three year extended compressor warranty available for and additional charge.

**BANNER**

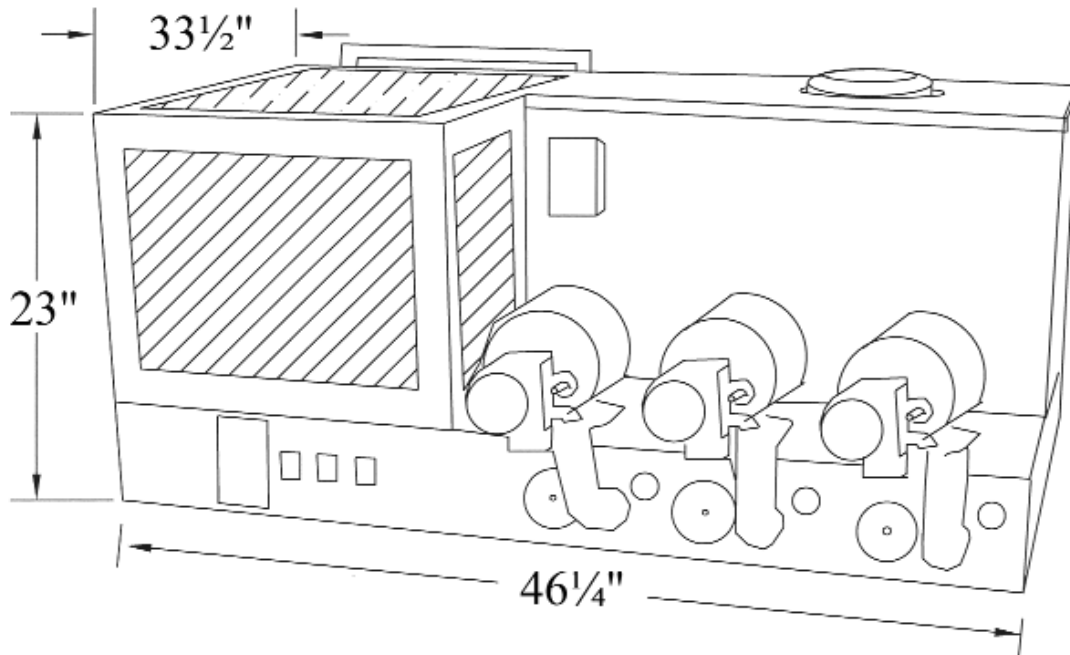
1370 Bungalow Road, Morris, Illinois 60450  
Phone (815) 941-9600 Fax (815) 941-9700  
WWW.BANNERBEER.COM

**800-621-4625**

# PERFECTA POUR® - "PARAMOUNT" 1 HP GLYCOL POWER PACK

## Specifications:

Part No.	BR2020	BR2020W
Model No.	608106	608126W
Maximum Distance	675 feet	875 feet
Safety Listings	ETL	ETL
Available Pump-Motor Assemblies	1-3	1-3
Electrical	208-230 VAC, 60 HZ, 1Phase	208-230 VAC, 60 Hz, 1 Phase
Maximum Operating Amps	17.1	17.7
Required Fuse Size - Dedicated	20 Amp.	20 Amp.
Compressor HP	1	1.25
Condenser Type	Air Cooled	Water Cooled
Evaporator Rating: <i>15° Evaporator, 90° Ambient</i>	8,160 BTUH	10,680 BTUH @ 105° Ambient
Heat Rejection	11,370 BTUH	N/A
Refrigerant	R-404A	R-404A
Condenser Water Inlet Temp.	N/A	75° F
Water Connection	N/A	½" barb
Water Usage - Maximum GPM	N/A	2.3
Water Pressure Drop - psi.	N/A	1.8
Approximate Shipping Weight	260 lbs.	275 lbs.
Overall Dimensions	46¼"W x 33½"D x 23"H	46¼"W x 33½"D x 23"H



**BANNER**

1370 Bungalow Road, Morris, Illinois 60450  
Phone (815) 941-9600 Fax (815) 941-9700  
WWW.BANNERBEER.COM

**800-621-4625**