

BUILD A BETTER BAR

PERFECTA POUR® - "FROST-MITE" 1/5 HP GLYCOL POWER PACK



FEATURES:

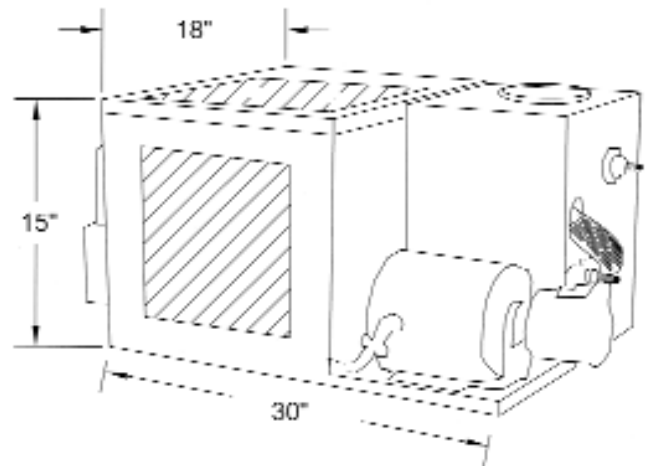
- STANDARD 1/3 HP MOTOR AND 100 GPH PUMP
- FRONT PANEL DIGITAL THERMOSTAT CONTROL
- EASILY ACCESSIBLE ONE GALLON SEALED GLYCOL RESERVOIR
- R-404A REFRIGERANT GAS
- COMPACT, LIGHTWEIGHT DESIGN
- THE ABILITY TO KEEP A 150' BEER RUN PROPERLY CHILLED AND POURING CLEAR
- INCLUDES 10' - 14 GAUGE - 3 WIRE POWER CORD

BR22

Banner's 1/5 HP "Frost-Mite" Perfecta Pour® glycol power pack packs a mighty punch. The compact, lightweight design, only 75 pounds when full, has an **easily accessible** one gallon sealed glycol reservoir. A sealed bath will prevent condensation build-up and evaporation which reduces the number of times needed for servicing the glycol bath.

Specifications:

| | |
|--|-----------------------|
| Part No. | BR22 |
| Model No. | 60822 |
| Maximum Distance | 150 feet |
| Electrical | 115 VAC, 60 Hz |
| Maximum Operating Amps | 9.4 |
| Required Fuse Size | 15 Amp. |
| Receptacle | 125V/15Amp/NEMA 5-15R |
| Compressor HP | 1/5 |
| Condenser Type | Air Cooled |
| Evaporator Rating: <i>15° Evaporator, 90° Ambient</i> | 1800 BTUH |
| Heat Rejection | 2100 |
| Refrigerant | R-404A |
| Approximate Shipping Weight | 70 lbs. |
| Overall Dimensions | 18"W x 30"D x 15"H |



All Perfecta Pour® glycol power packs include a 90 day labor and one year parts and compressor warranty. Three year extended compressor warranty available for an additional charge.

BANNER

1370 Bungalow Road, Morris, Illinois 60450
Phone (815) 941-9600 Fax (815) 941-9700
WWW.BANNERBEER.COM

800-621-4625